

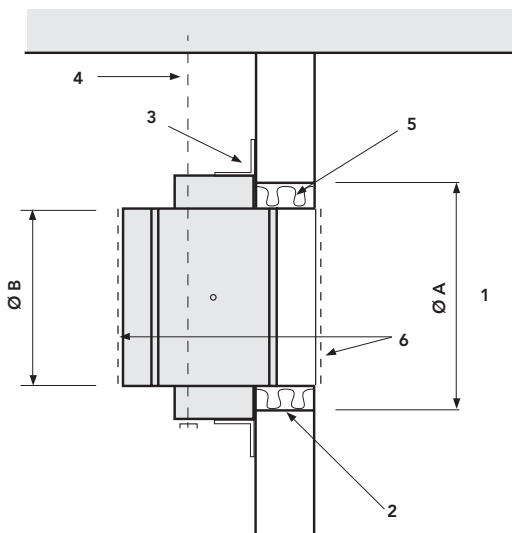
ICBB

Inert gas damper



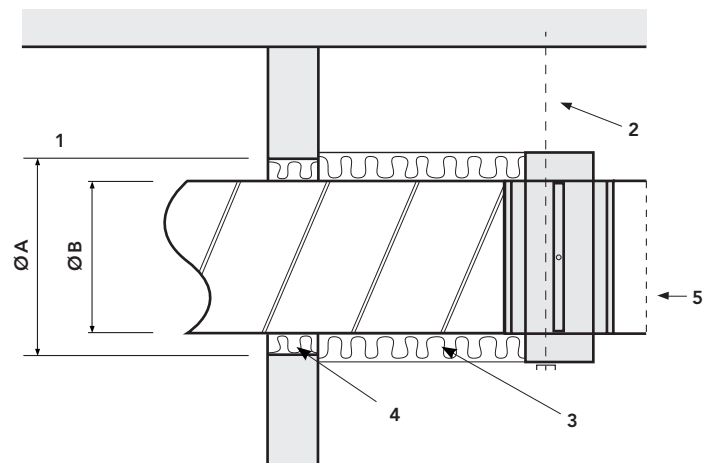
INSTALLATION AGAINST STRUCTURAL ELEMENT FIRE CLASS EI 60

1. Recess dimension A is 50 mm larger than damper opening B.
2. For mounting in building structure of sheet material (e.g. plasterboard), a mounting sleeve is used. The hole is reinforced with studs.
3. The damper is centred in the hole and fastened using mounting brackets.
4. If necessary, the weight of the damper can be supported against a fixed structure. The load bearing capacity of the mounting must meet the fire resistance class requirements of the structural element being penetrated.
5. The space between the structural element and the connecting ventilation duct is sealed according to the regulations for duct openings.
6. Damper opening is fitted with a grille.



INSTALLATION AWAY FROM STRUCTURAL ELEMENT FIRE CLASS EI 60

1. Recess A is fitted to duct dimension B.
2. If necessary, the damper can be supported against a fixed structure. The load bearing capacity of the mounting must meet the fire resistance class requirements of the structural element being penetrated.
3. Ventilation duct between the structural element and the damper is insulated to the same fire resistance class as the structural element being penetrated. There must be no openings on the ventilation duct between the damper and the structural element.
4. The space between the structural element and the connecting ventilation duct is sealed according to the regulations for duct openings.
5. Damper opening is fitted with a grille.



ICBB

Inert gas damper

INSTALLATION

The dampers may be installed in structural elements separating fire cells with a maximum fire resistance class of EI 60. As the damper forms part of the local fire prevention system, it is important that installation is carried out properly in accordance with the installation instructions.

Dampers that cannot be connected must be fitted with a safety grille or security grille. Dampers must be connected to the gas extinguisher system via a fixed pipe joint.

For installation in exterior walls, dampers can be supplemented with weather protection equipment, such as exterior wall grilles, hoods etc. The free area must always be allowed for.

HAGAB ensures that production of its ICBB Inert Gas Damper is carried out in accordance with Manufacturing Control/Type Approval SC0001-13 and its supporting documents.